

**CHEMISAFE®**  
SAFETY STORAGE CABINETS



# FIRE MY11

NEW SAFETY CABINETS  
CERTIFIED TYPE 90 FOR THE STORAGE  
OF FLAMMABLE PRODUCTS



**NEW**

- >>> ACCORDING TO VERSIONS  
WE OFFER AN INCREASED  
STORAGE CAPACITY OF 20/25%
- >>> ADVANTAGE OF PARTS REPLACEMENT  
IN CASE OF BODY DAMAGE
- >>> NEW CLOSING SYSTEM



# >>> FIRE MY11 Type 90

**NEW SAFETY CABINETS FOR THE STORAGE OF FLAMMABLE PRODUCTS WITH 90 MINUTES FIRE CLASS CERTIFIED RESISTANCE ACCORDING TO EN 14470-1.**

Completely manufactured from 1 - 1,5 mm thickness steel sheet, cold pressed, epoxy coated with acid resistant epoxy powders electro-statically applied at a temperature of 200 °C, which ensures a layer thickness higher than 90 microns on the whole surface of the cabinet. Special insulation with rock-wool fibers' high density panels (Fiberceramic exempt) resistant to high temperatures (800 °C) and panels of calcium sulphate. Internal finishing with MFC panels, resistant to acid and corrosive vapours.

**Certification as from last EN 14470-1 norm.**

- **Automatic door closure** in case the ambient temperature exceeds 50 °C (according to market).
- **Lock with key and door blockage.**
- **Feet adjustment level.**
- **90 minutes certified valves close the ventilation holes** when the temperature exceeds 70 °C; one is placed on the roof for extraction, one on the bottom to guarantee the extraction of heavy vapours.
- **Air extraction duct collar 100 mm diam.** placed on top of the safety cabinet.
- **Anti-sparking hinges.**
- **3 cm thermo-expanding gasket (DIN 1402).**
- **no. 3 epoxy coated or stainless steel shelves** on stainless steel supports, height adjustable.
- **Bottom sump** with draining grid which allows a bigger storage volume.
- **Grounding connection** on top of the cabinet to prevent electrostatic charges.



FIRE MY11 - Model 120



***New closing system which allows to keep the doors open. Automatic door closing in case the ambient temperature exceeds 50 °C.***



**FIRE MY11 MODELS 120: TEST LAPI No. 1583.0EN100/10**

FIRE MY11 MODELS 120 TYPE 90	CODE	EXTERNAL DIMENSIONS (W x D x H) mm	INTERNAL DIMENSIONS (W x D x H) mm	CAPACITY No. OF 1 LITER BOTTLES EACH CABINET	WEIGHT (Kg)	No. OF SHELVES DIMENSIONS (W x D x H) mm CAPACITY (liters)	EPOXY COATED BOTTOM SUMP WITH DRAINING GRID DIMENSIONS (W x D x H) mm CAPACITY (liters)
<b>BASIC</b> FIRE MY11 120 Type 90 *	CSF232BMY11	1200 x 600 x 1950	1095 x 446 x 1625	160 / 200	350	No. 3 epoxy coated tray shelves, height adjustable. Certified loading capacity 80 kg 1094 x 420 x 39 - about 16 liters	1094 x 445 x 100 about 45 liters
<b>EASY</b> FIRE MY11 120 Type 90 *	CSF232MY11	1200 x 600 x 1950	1095 x 446 x 1625	160 / 200	350	No. 3 stainless steel tray shelves, height adjustable. Certified loading capacity 80 kg 1094 x 420 x 39 - about 16 liters	1094 x 445 x 100 about 45 liters

Add "Y" to the code for yellow safety cabinet.



FIRE MY11 - Model 60

# >>> FIRE MY11 Type 90



**Warrington**  
**fire**

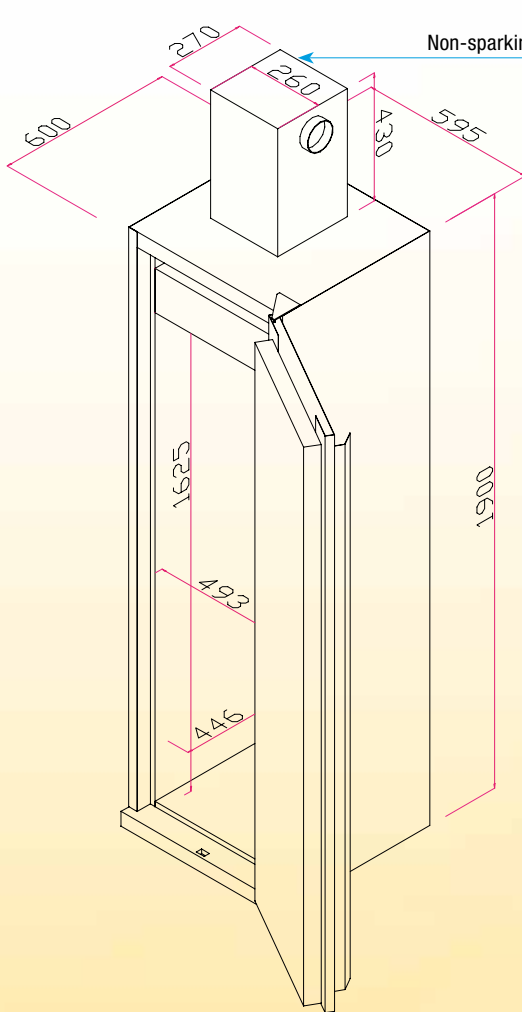
## FIRE MY11 MODELS 60: TEST LAPI No. 1582.0EN100/10

FIRE MY11 MODELS 60 TYPE 90	CODE	EXTERNAL DIMENSIONS (W x D x H) mm	INTERNAL DIMENSIONS (W x D x H) mm	CAPACITY No. OF 1 LITER BOTTLES EACH CABINET	WEIGHT (Kg)	No. OF SHELVES DIMENSIONS (W x D x H) mm CAPACITY (liters)	EPOXY COATED BOTTOM SUMP WITH DRAINING GRID DIMENSIONS (W x D x H) mm CAPACITY (liters)
<b>BASIC</b> FIRE MY11 60 Type 90 * **	CSF239BMY11	595 x 600 x 1950	493 x 446 x 1625	80 / 100	210	No. 3 epoxy coated tray shelves, height adjustable. Certified loading capacity 60 kg 493 x 420 x 39 - about 7 liters	493 x 445 x 100 about 20 liters
<b>EASY</b> FIRE MY11 60 Type 90 * **	CSF239MY11	595 x 600 x 1950	493 x 446 x 1625	80 / 100	210	No. 3 stainless steel tray shelves, height adjustable. Certified loading capacity 60 kg 493 x 420 x 39 - about 7 liters	493 x 445 x 100 about 20 liters

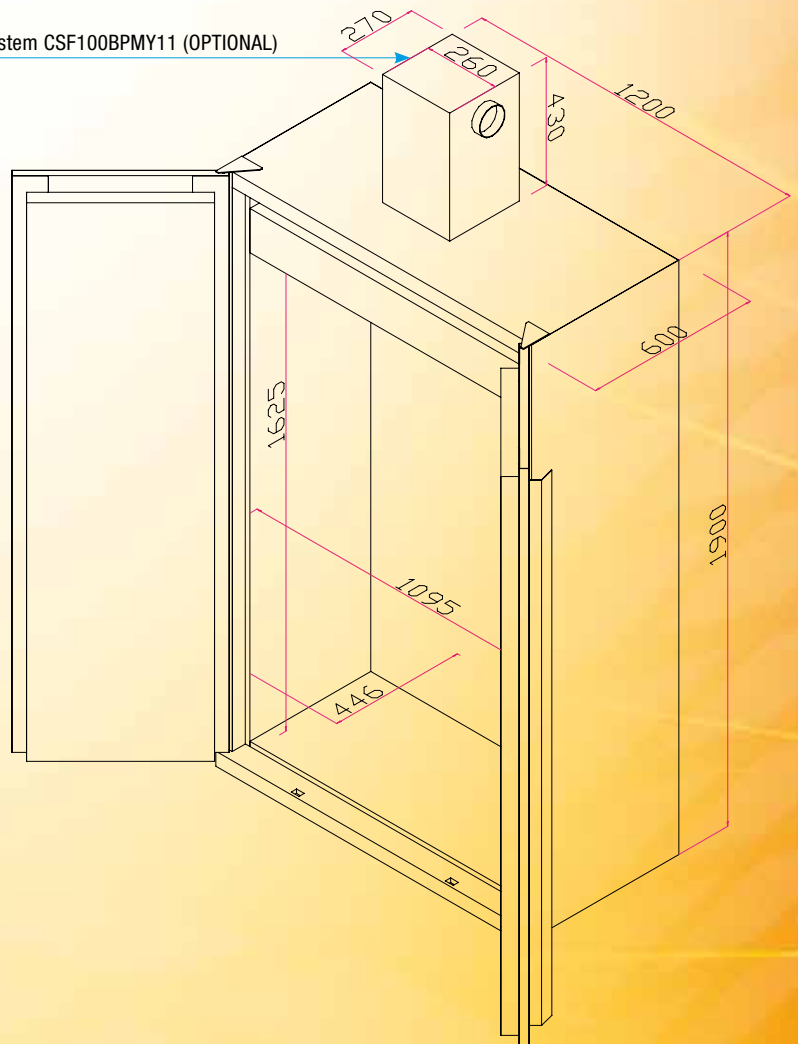
\* Add "Y" to the code for yellow safety cabinet.

\*\* Add "D" to the code for safety cabinet with right opening.





Non-sparking extraction system CSF100BPMY11 (OPTIONAL)



**>>> FIRE MY11 Type 90**

OPTIONAL ACCESSORIES

CODE	DESCRIPTION	DIMENSIONS (W x D x H) mm
PS50MY11	Door's thermal closing system	
CSEST	Internal or external automatic extinguisher	
RIP60VMY11	Additional epoxy coated steel shelf tray for safety cabinet with 1 door	493 x 420 x 39
RIP120VMY11	Additional epoxy coated steel tray shelf for safety cabinet with 2 doors	1094 x 420 x 39
RIP60MY11	Additional stainless steel tray shelf for safety cabinet with 1 door	493 x 420 x 39
RIP120MY11	Additional stainless steel tray shelf for safety cabinet with 2 doors	1094 x 420 x 39
CSF100BPMY11	Non-sparking extraction system in metal box, with electric installation and power cable and metal case for filter	270 x 260 x 430
RSOL	Activated carbon filter	
<i>ALTERNATIVE SOLUTION</i>		
CFN	Exhaust filter/fan module according to NFX 15-211 norm	
ADCFNMY11	Adapter for CFN cabinets MY11	
CSAS	Activated carbon filter for solvents (for CFN)	
CSBE	Activated carbon filter for acid vapours (for CFN)	
CSMP	Activated carbon filter for acid vapours and solvents (for CFN)	
CSPF	Anti-dust pre-filter (for CFN)	



CSF100BPMY11



Exhaust filter/fan module according to NFX 15-211 norm



**FIRE 60 RADIO Type 90**  
Code CSF239XMY11

**CERTIFIED  
FIRE RESISTANCE  
90 minutes (Type 90)**

**STEP CLOSE**  
Patented automatic thermal closing system when ambient  $T^{\circ} > 50^{\circ}C$ .  
STANDARD ACCESSORY FOR THE WHOLE SERIES.

FIRE RADIO MODELS	CODE	EXTERNAL DIMENSIONS (L x W x H) mm	INTERNAL DIMENSIONS (L x W x H) mm	No. OF ONE-LITRE BOTTLES FOR CONTAINED IN THE CABINET	WEIGHT (Kg)	STAINLESS STEEL SHELVES	STEEL SUMP GRID	AUTOMATIC DOORS CLOSURE WHEN $T^{\circ} > 50^{\circ}C$
FIRE 60 RADIO Type 90	CSF239XMY11	590 x 600 x 1980	450 x 430 x 1848/1550	60/80	350	3	YES	YES
FIRE 60 UB RADIO Type 90	CSF606XMY11	590 x 500 x 620+80	440 x 340 x 510/345	10/12	150	NO	YES	YES
SAFETYFIRECASE RADIO Type 30	CSF500X	340 x 340 x 400	200 x 200 x 265	4	45	NO	ONLY TROUGH	YES



**CERTIFIED  
FIRE RESISTANCE  
30 minutes (Type 30)**



**SAFETYFIRECASE RADIO Type 30**

Code CSF500X

Portable safety cabinet for n. 4 one-litre bottles or n.1 five-litres bottle with sump. Complete with trolley.



**FIRE 60 UB RADIO Type 90**

Code CSF606XMY11

**CERTIFIED  
FIRE  
RESISTANCE  
90 minutes  
(Type 90)**

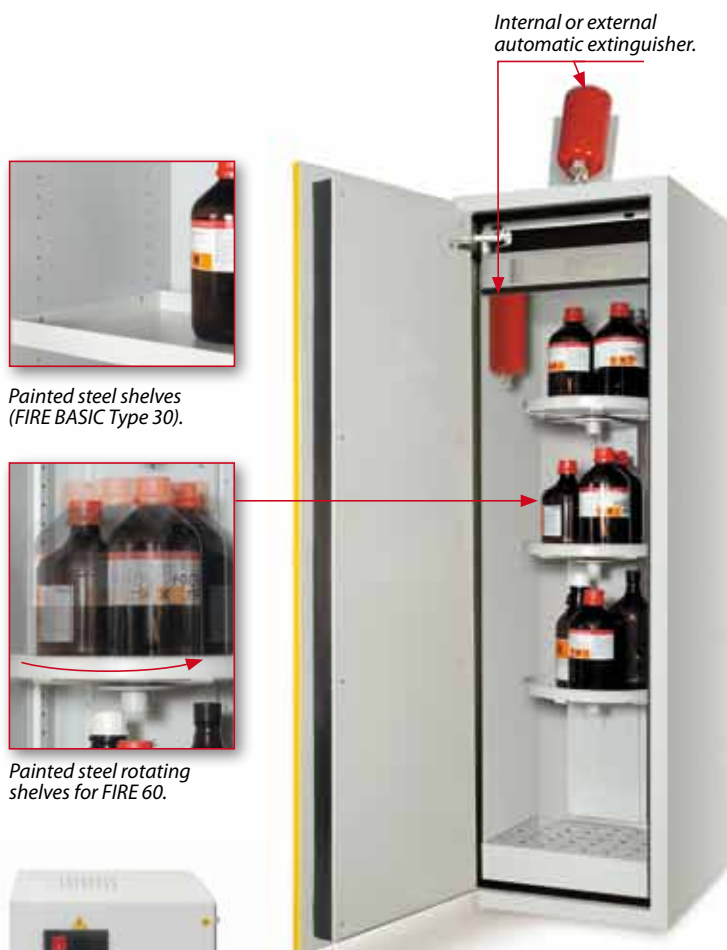
OPTIONAL ACCESSORIES FIRE RADIO	CODE	DIMENSIONS (L x W x H) mm
STAINLESS STEEL SHELF FOR FIRE 60 RADIO	RADIORIP60MY11	407 x 385 x 25
NON-SPARKING EXTRACTION SYSTEM IN METAL BOX, WITH ELECTRIC SYSTEM AND POWER CABLE	CSF100BPMY11	270 x 260 x 430
ATEX EXTRACTION SYSTEM IN METAL BOX, WITH ELECTRIC SYSTEM AND POWER CABLE	CSF100ABPMY11	270 x 260 x 430
FILTER HOLDER BOX	BP100	140 x 250 x 90
ACTIVATED CARBON FILTER	RSOL	
DAILY TIMER	TIM24	
INTERNAL OR EXTERNAL AUTOMATIC EXTINGUISHER	ESTINTORE	
ALLARME	AT100	
COLDY FOR MODEL FIRE 60 RADIO	CSFR127	

**FIRE RADIO  
ARMADI  
SAFETY CABINETS  
FOR RADIOACTIVE  
PRODUCTS  
CERTIFIED  
ACCORDING  
TO EN 14470-1.**

Completely built in stainless steel with lead screening (2 mm)\*.



\* Standard, other thicknesses on request.



Internal or external automatic extinguisher.



Painted steel shelves (FIRE BASIC Type 30).



Painted steel rotating shelves for FIRE 60.



Anti-sparking extraction system  
Code CSF100 BPMY11



**CHEMISAFE® TEMPERATURE ALARM SYSTEM.**  
Temperature control system, alarm and phone call.

The system has a digital thermostat with probe which continuously detects the temperature inside the cabinet.

When the temperature is higher than the programmed one, an optical acoustic alarm starts and a telephonic device calls the predetermined phone numbers (24 numbers possible).

THERMOSTAT TECHNICAL FEATURES:

- Measuring range: from -40 °C to 99 °C;
- Precision: +/- 1 °C;
- Resolution: 1 °C;
- Relay exit: 10°/240 VAC.

TELEPHONIC DEVICE TECHNICAL FEATURES:

- 6 channels with message repetition till 5 times;
- Remote system questioning;
- 24 events non-volatile memory;
- Power supply 6 V c.c. or 12;
- IMQ approval 1<sup>st</sup> level.

OPTIONAL ACCESSORIES	CODE	DIMENSIONS (L x W x H) mm
RIGHT STEP CLOSE (PATENTED)	PS50MY11	
LEFT STEP CLOSE (PATENTED)	PS50SMY11	
PAINTED STEEL SHELF FOR FIRE 120	RIP120VMY11	1094 x 420 x 39
PAINTED STEEL SHELF FOR FIRE 60	RIP60VMY11	493 x 420 x 39
STAINLESS STEEL SHELF FOR FIRE 120	RIP120MY11	1094 x 420 x 39
STAINLESS STEEL SHELF FOR FIRE 60	RIP60MY11	493 x 420 x 39
ROTATING SHELF FOR FIRE 60	RIPGI	390 x 30 (Ø x A)
NON-SPARKING EXTRACTION SYSTEM IN METAL BOX, WITH ELECTRIC SYSTEM AND POWER CABLE	CSF100BPMY11	270 x 260 x 430
ATEX EXTRACTION SYSTEM IN METAL BOX, WITH ELECTRIC SYSTEM AND POWER CABLE	CSF100ABPMY11	270 x 260 x 430
ACTIVATED CARBON FILTER	RSOL	
DAILY TIMER	TIM24	
INTERNAL OR EXTERNAL AUTOMATIC EXTINGUISHER	ESTINTORE	
ALARM	AT100	
COLDY FOR MODEL FIRE 120	CSFR128	
COLDY FOR MODEL FIRE 60	CSFR127	
WALL FIXING SYSTEM SAFETYFIRECASE	CSF550	
TROLLEY SAFETYFIRECASE	CSF560	

**COLDY: REFRIGERATING SYSTEM (PATENTED) FOR SAFETY CABINETS FOR STORAGE OF LOW FLASH POINT PRODUCTS.**

The system has a cryostat unit which cools a liquid till -15 °C and, through a pump, pushes it inside the cabinets with special pipes.

A thermal exchanger, modular and suitable to the whole CHEMISAFE FIRE series, lowers the internal temperature with possibility to adjust it according to the special needs of the stored products. A higher safety is given by a sprinkler (1) mounted on the exchanger which, when temperature reaches 68 °C, releases a liquid preventing a possible internal fire.

An internal temperature control is possible through a digital thermometer (2) placed on the cabinet's door.

A easy clicking system makes connections and maintenance very easy. The standard temperature is +20 °C (special applications on request).



1 Higher safety given by a sprinkler which, in case of fire, releases a liquid from the exchanger.



2 Digital thermometer for monitoring internal and external temperature with COLDY.





# INFLAMMABLE LIQUIDS STORAGE SYSTEM



## APPLICATION FOR SAFETYFIRECASE

Code CSF220

Inflammable liquids storage system,  
directly from the safety cabinets.

Connection hole REI 180.

No. 4 one-litre bottles or no. 1 five-litres bottle.



## APPLICATION TO UB SERIES

Code CSF200MY11

Inflammable liquids storage system,  
directly from the safety cabinets,  
with level control and acoustic alarm.

Communication hole REI 180. No 1. twenty-litres tanks.

**Spare twenty-litres tanks** - Code CSF210MY11





# CHEMISAFE®

## SAFETY STORAGE CABINETS

NEW

## SAFETYFIRECASE®

PORTABLE CERTIFIED SAFETY CABINET FOR THE STORAGE OF 4 BOTTLES OF INFLAMMABLES IN ACCORDANCE WITH THE RECENT HARMONISED STANDARD BS EN 14470-1 (TYPE 30).



**SAFETY CABINETS FOR THE STORAGE OF INFLAMMABLES, CERTIFIED FIRE-RESISTANT FOR 30 MINUTES IN ACCORDANCE WITH THE RECENT HARMONISED STANDARD BS EN 14470-1.**

### SAFETYFIRECASE® - Code CSF 500

- Volume: 11 litres - 4 one litre bottles.
- External dimensions: 340x340x400 mm (W x D x H).
- Internal dimensions: 200x200x265 mm (W x D x H).
- Weight: 18 kg approx.

### TECHNICAL FEATURES

Electro-welded, monolithic support frame in electrostatically galvanized sheet steel.  
Exterior finished in epoxy resin, thermo-set at more than 200 °C and with average thickness not less than 90 microns.  
Signs according to ISO 3864.  
Operation and service manual according to DIN V 8418.

### SAFETY FEATURES

"Sandwich"-construction thermal insulation panels with Type 30 fire resistance class according to BS EN 14470-1. Fire resistance certified by an independent testing organisation after conducting a FIRE TEST performed according to the recent BS EN 14470-1 standard. AUTOMATIC doors closing when the room temperature exceeds 50 °C.  
Self-sealing inlet and outlet ventilation ports with automatic closure systems.  
The closure systems are maintenance-free for a long working life and reliability.  
30 mm wide, mineral reinforced fibre, graphite based, intumescent seals which automatically expand when the ambient temperature exceeds a safe level (DIN 4102).  
They are located on both the door edges and door frame to ensure excellent fireproofing.  
Non-sparking door hinges run along the whole length of the door and do not need adjustment.

### OPTIONAL ACCESSORIES

- WALL FIXING SYSTEM - Code CSF 550
- TROLLEY - Code CSF 560
- BOTTOM SPILLAGE TROUGH - Code CSF 570

**SAFETYFIRECASE®**  
**PORTABLE,**  
**PRACTICAL, SAFE.**



Authorized dealer:



CE